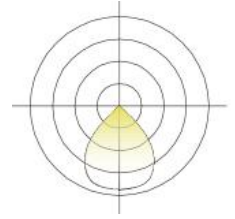


GLS40

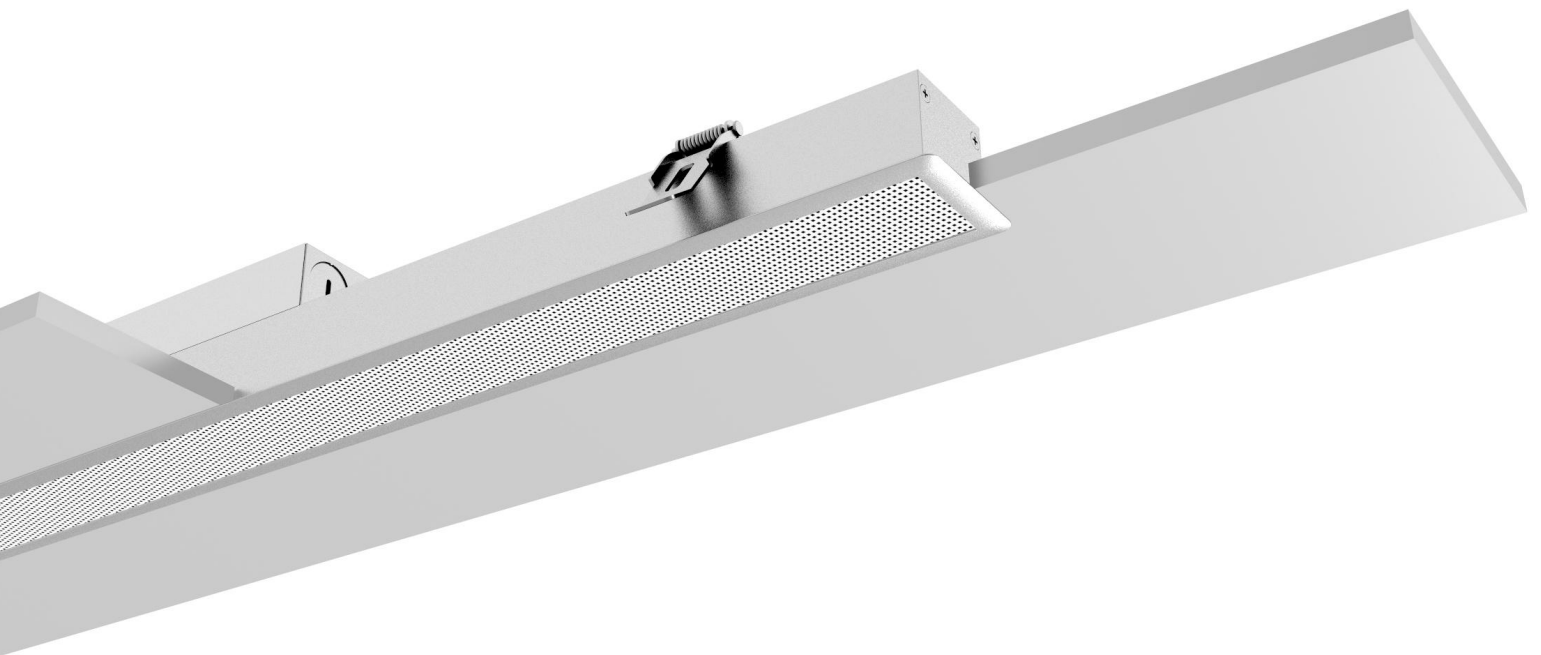


sal
LIGHTING

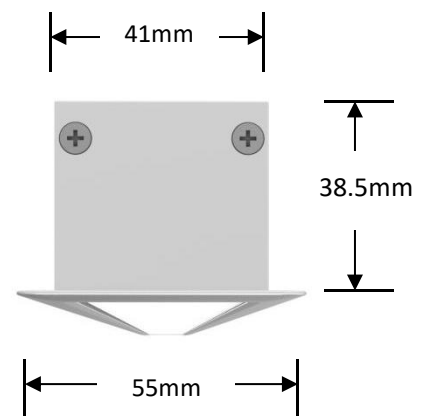
LE40FP



LE40 is a combination of elegant appearance and structure design, innovative light and heat design, new material and new technology and intelligent control technology. A professional lamp can be widely used in the main lighting of indoor space.



- AL6063-T5 aluminum profile with high-quality surface treatment;
- LM80 certified light source, life > 50000h;
- Built-in efficient and safe flicker-free dimming power supply ,Support 0-10V dimming or Dali dimming
- Recessed (with trim) installation.
- Prismatic Diffuse design.



Optical & electronic data:

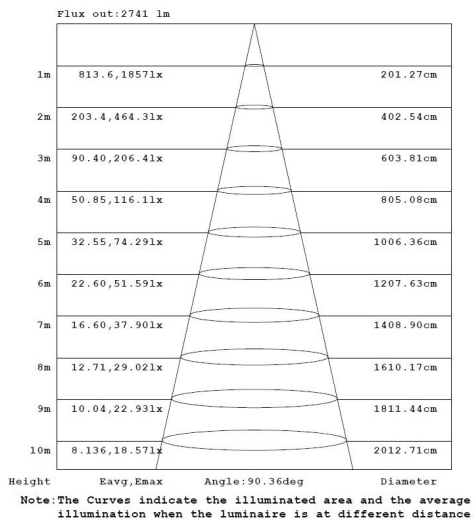
Model	Size	CCT	Flux (lm)	CRI	Beam angle	Input voltage	Dimming	PF	Power (w)	Efficiency (lm/w)
GLS-LE40FPXBS1200-T38NW8B-DC	1160mm	3000K	3800lm	>80	90°	200~240VAC 50Hz/60Hz	0-10V	>0.9	38W	100
		3500K	3870lm							102
		4000K	3950lm							104
GLS-LE40FPXBS1500-T48NW8B-DC	1445mm	3000K	4740lm	>80	90°	200~240VAC 50Hz/60Hz	0-10V	>0.9	48W	99
		3500K	4840lm							101
		4000K	4940lm							103
GLS-LE40FPXBS1800-T56NW8B-DC	1730mm	3000K	5700lm	>80	90°	200~240VAC 50Hz/60Hz	0-10V	>0.9	56W	102
		3500K	5810lm							104
		4000K	5930lm							106
GLS-LE40FPXWS2300-T76NW8B-DC	2300mm	3000K	7590lm	>80	90°	200~240VAC 50Hz/60Hz	0-10V	>0.9	76W	102
		3500K	7740lm							104
		4000K	7900lm							107

Remark:

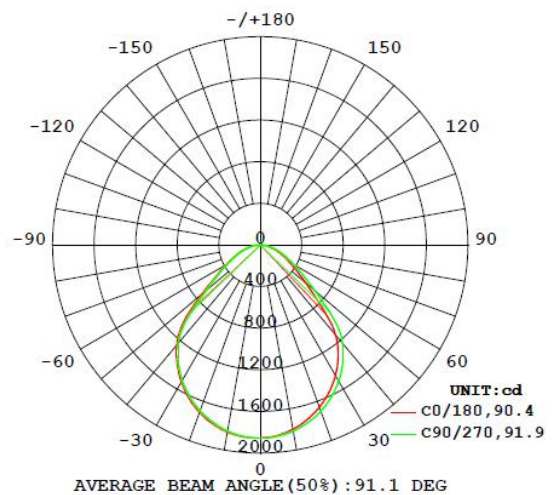
- 1、 the output data is based on the testing result of 1165mm luminaires ;
- 2、 the tolerance of output data can be vary up to 10%;
- 3、 the output data is typical value;

◆luminaire with Prismatic Diffuse (GLS-LE40FP)

AAI Figure

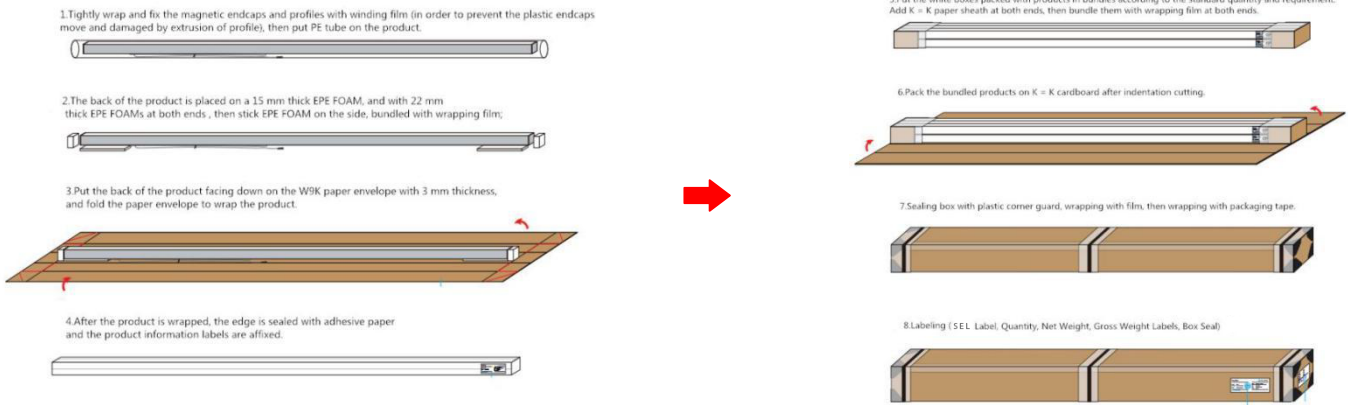


Luminous intensity distribution diagram



Packing:

◆ **The whole package**



Model	Type	Demension (individual package)	Pcs /bundle	NW (Kg)	GW (Kg)	Demension (whole package)	CBM (m ³)
GLS-LE40FPXBS1200-T38XX8B-DC	Individual Packing	1240*116*105mm	6	12	16.7	1260*272*235mm	0.08
GLS-LE40FPXBS1500-T48XX8B-DC		1540*116*105mm	6	15	20.1	1560*272*235mm	0.1
GLS-LE40FPXBS1800-T56XX8B-DC		1840*116*105mm	6	18	24	1860*272*235mm	0.12
GLS-LE40FPXWS2300-T76XX8B-DC		2440*116*105mm	6	24	32	2460*272*235mm	0.16

◆ **Description about label information**

GLS-LE40		sel LIGHTING	
Luminous flux:	3500 LM	Type:	Luminaire
Power(Typ):	38W	Part NO:	GLS-LE40FDXWS1200-T38NW8B-DC
CCT:	4 000K	SO:	YO17050147
CRI:	>80	NO:	ZWL170510-0380
Input voltage:	200~240 VAC	Color:	White
Frequency:	50/60Hz	Power factor:	>0.95
		Cover type:	Diffuser
		Size:	41x38.5x1146mm
		Date:	20200601

Ordering code:

Category	Installation	Section Size	Diffuser Shape	Diffuser Nature	Carrier Style	Profile Color	End Cap Style	Length	-Light Source Type	Type Power of Luminaire	CCT	CRI	Power Type	Package	Label Type
GLS40	Recessed	40 Series	Flat	Prismatic Diffuser	No	White	Standard End Cap	1160mm	-Constant Current Rigid	38W	3000K	CRI>80	0-10V	Individual Packing	SEL
GLS	LE	40	F	P	X	W	S	1200	T	38	WW	80	DALI	-D	L
								1445mm		48W	3500K				
						Black		1500		48	PW				
						B		1730mm		56W	4000K				
						Silver		2300mm		72W	NW				
						S		2300		72					
GLS	-LE	40	F	P	X	W	S	1200	-T	38	NW	8	B	-D	C

Attentions:

- ◆ Please install the product in the right environment as much as possible;
- ◆ Please be careful during operation. Do not touch the AC power supply in case of electric shock;
- ◆ Check the current through the circuit, such as the surge occurs when press the switch does not exceed the maximum rated current, please insert the appropriate protection circuit;
- ◆ This product is sensitive to static electricity, and please special attention. In particular, it will damage the product when the static electricity is more than absolute maximum rated current and voltage, please make a countermeasures to avoid the damage of the static electricity and surge when using the product.